

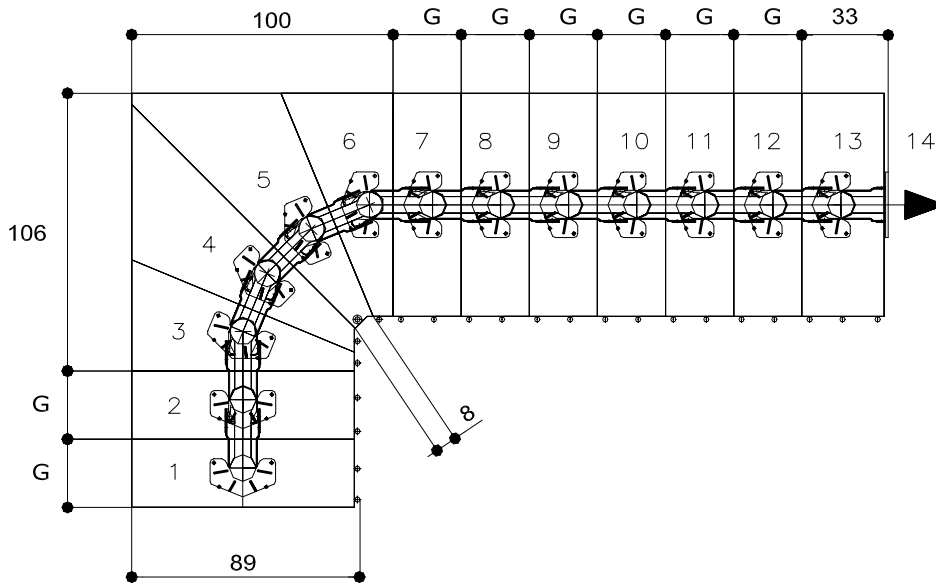
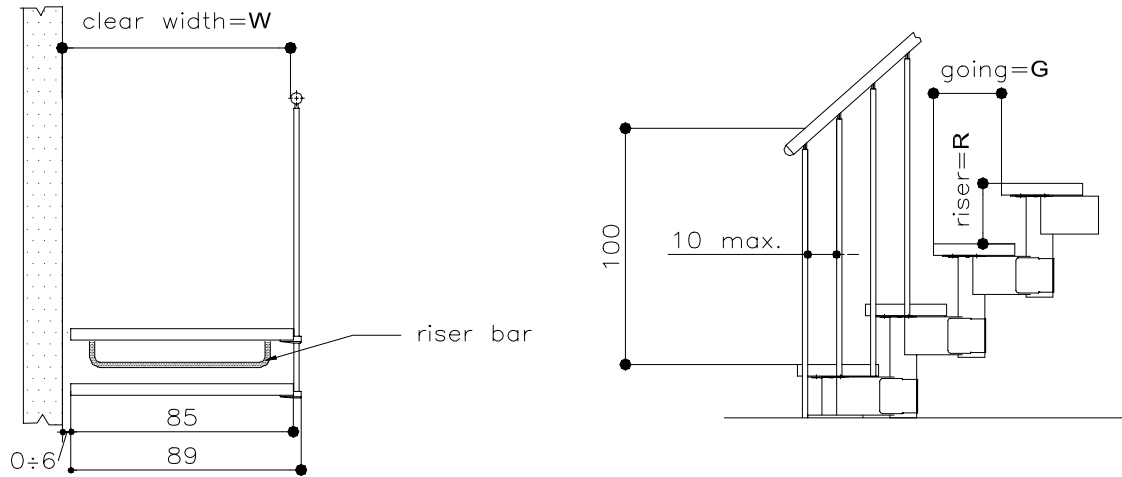


by ALBINI & FONTANOT

KOMPACT 89 16g

As per the

Building Regulations 1991 APPROVED DOCUMENT K



R = from 17 to 22 cm

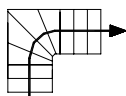
G = from 22 to 24 cm

W = from 84,5 to 90,5 cm

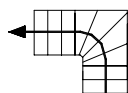
HEIGHTS OF KOMPACT 89 16g

KIT KOMPACT	+ 1 KIT	+ 2 KIT
14 RISERS	ADDITIONAL TREAD	ADDITIONAL TREAD
HEIGHT 242÷306 cm	HEIGHT 259÷328 cm	HEIGHT 276÷350 cm

Clockwise rotation

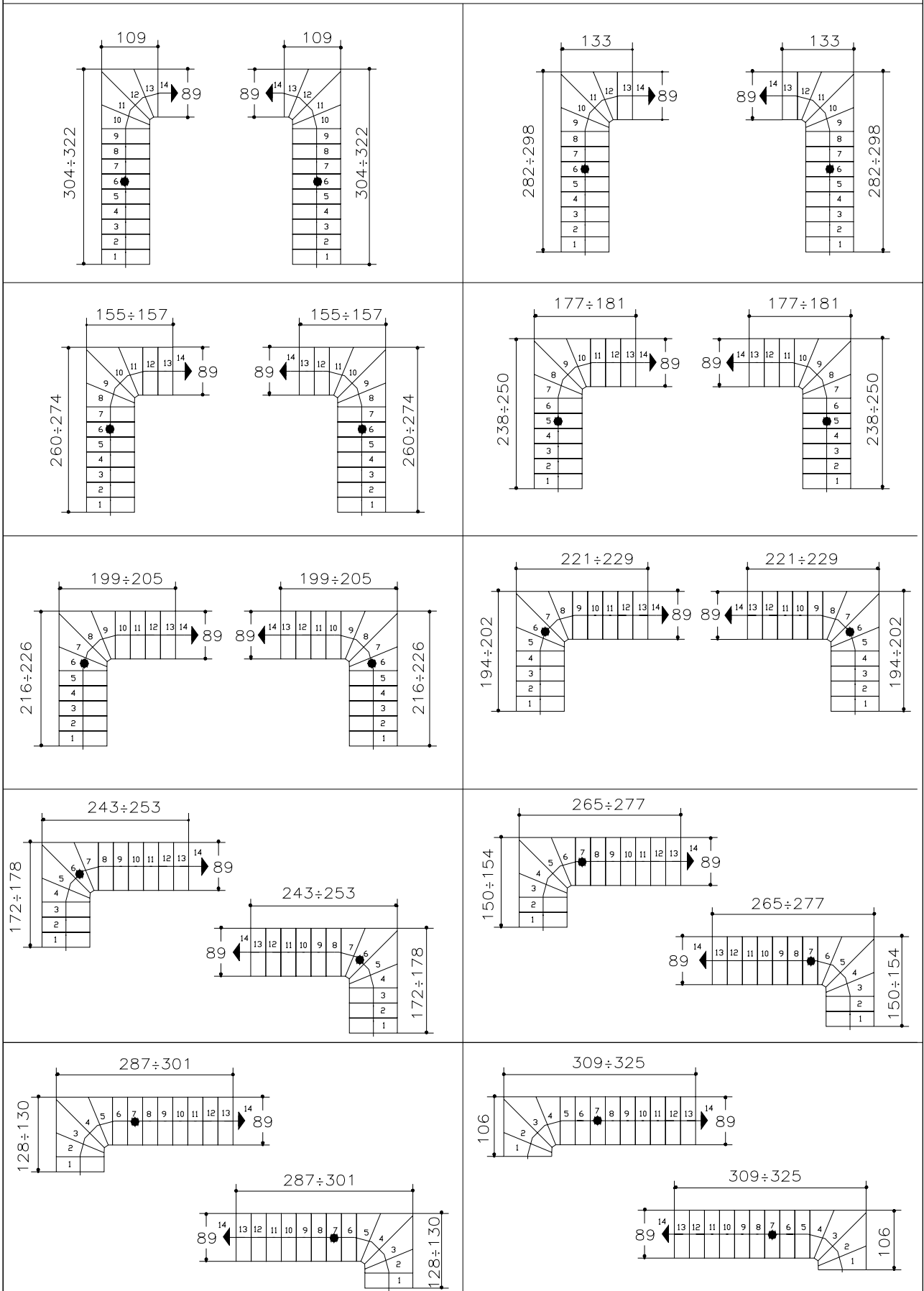


Anti-clockwise rotation



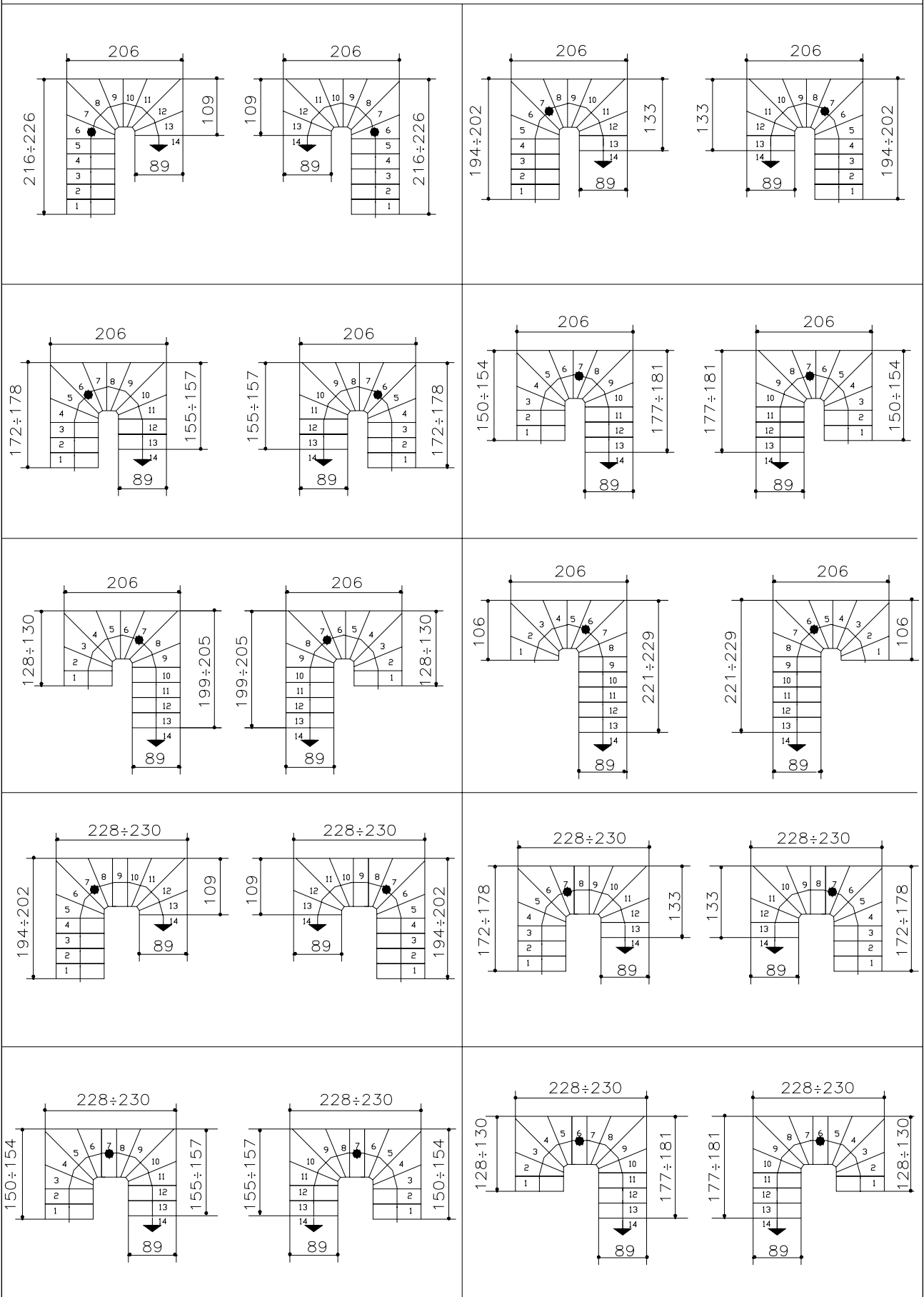
TAB.2

cm



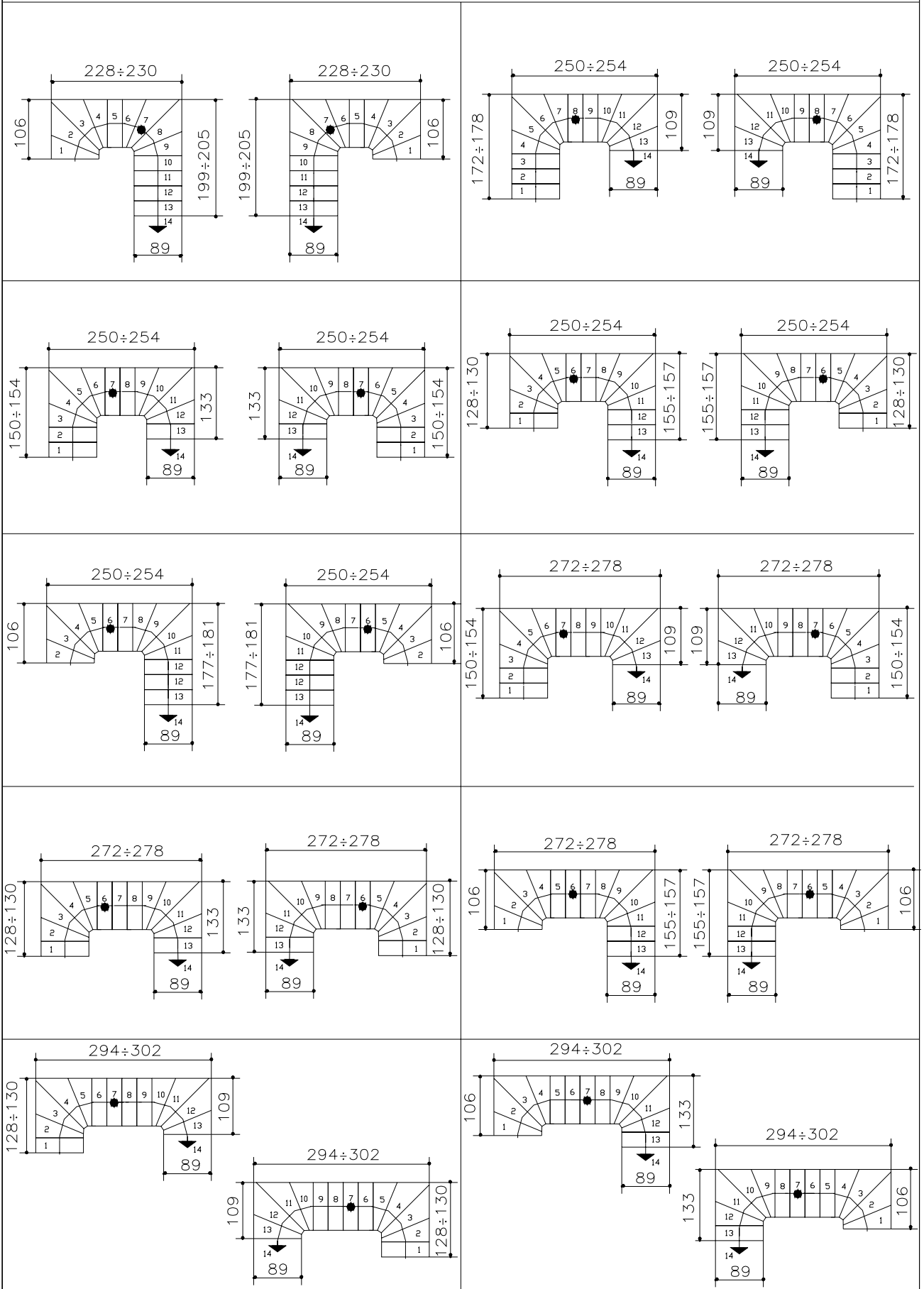
TAB.3

cm



TAB.4

cm



TAB.5

cm

